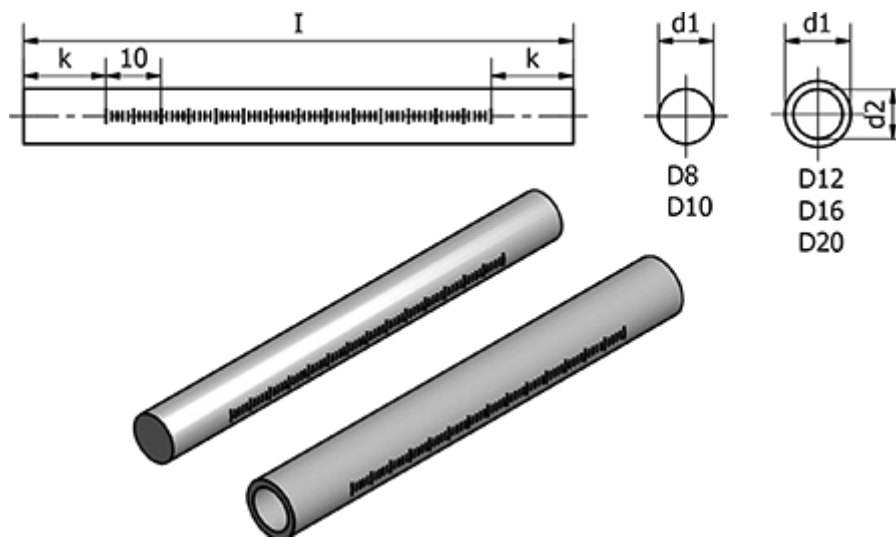


Article number: 204801D10250NILS

Description: E+G Retaining tube with scales - GN 480.1-D10-250-NI-LS

Measures



d1	= 10
d2	= -
l	= 250
k	= 15
Weight (g)	= 185